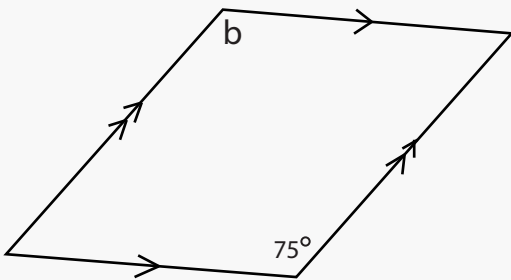


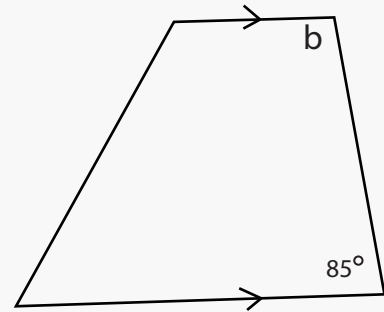
Angles in Quadrilateral

Name: _____ Class: _____

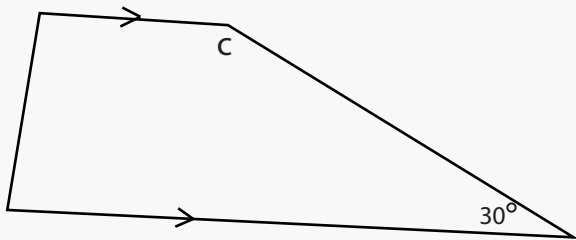
Find the value of the angles in each quadrilateral (not drawn to scale)



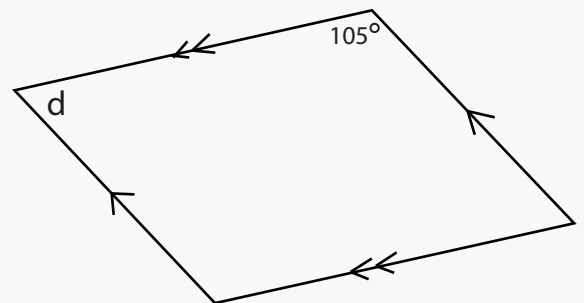
$\angle a = \underline{\hspace{2cm}}$



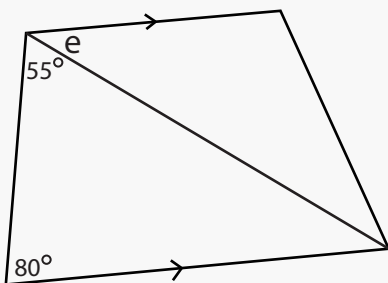
$\angle b = \underline{\hspace{2cm}}$



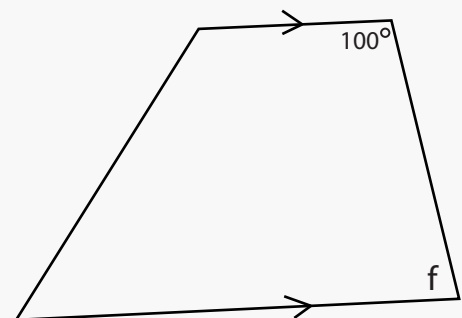
$\angle c = \underline{\hspace{2cm}}$



$\angle d = \underline{\hspace{2cm}}$



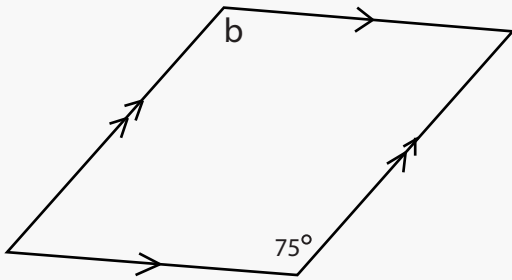
$\angle e = \underline{\hspace{2cm}}$



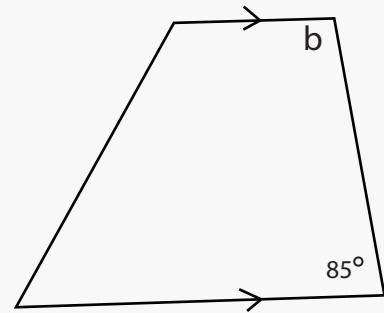
$\angle f = \underline{\hspace{2cm}}$

Answers

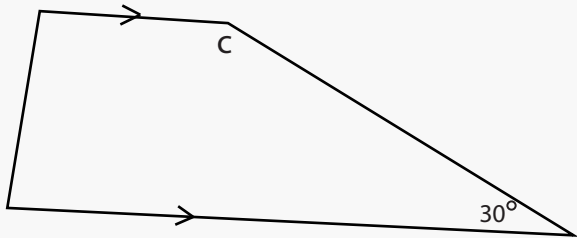
Find the value of the angles in each quadrilateral (not drawn to scale)



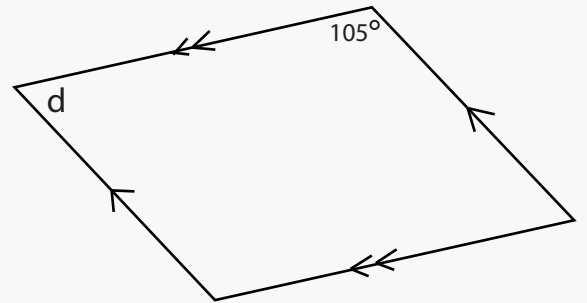
$$\angle a = \underline{75^\circ}$$



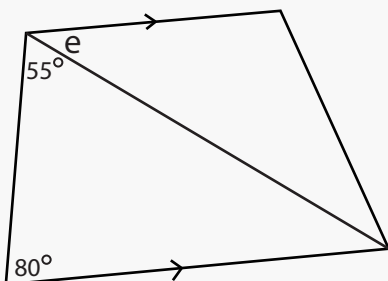
$$\angle b = \underline{95^\circ}$$



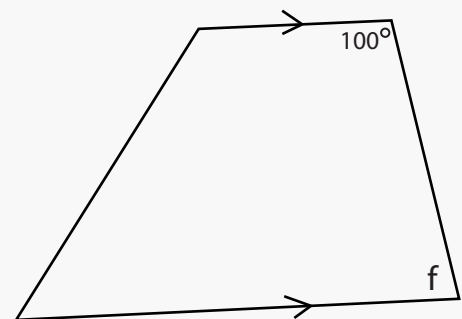
$$\angle c = \underline{150^\circ}$$



$$\angle d = \underline{75^\circ}$$



$$\angle e = \underline{45^\circ}$$



$$\angle f = \underline{80^\circ}$$