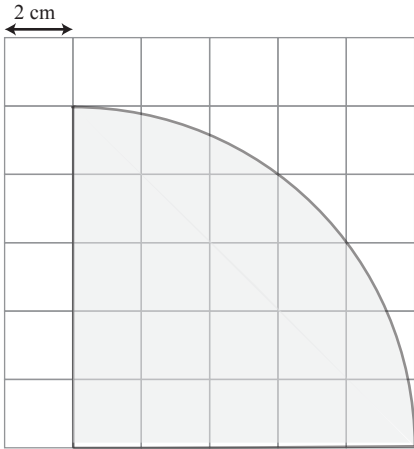


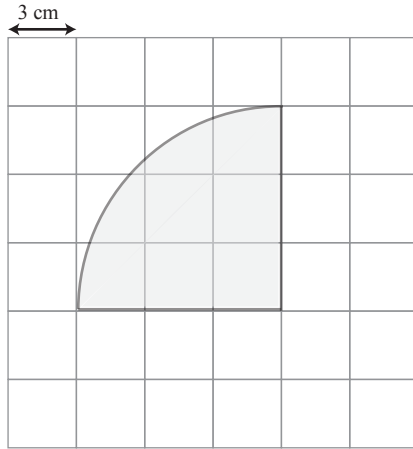
Perimeter of Circular Shapes

Name: _____ Class: _____

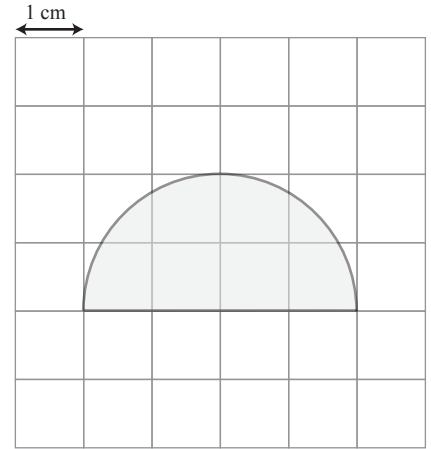
Calculate the perimeter of the following shapes. Take $\pi = 3.14$ and round off to 2 decimal places. The grids are made up of square blocks.



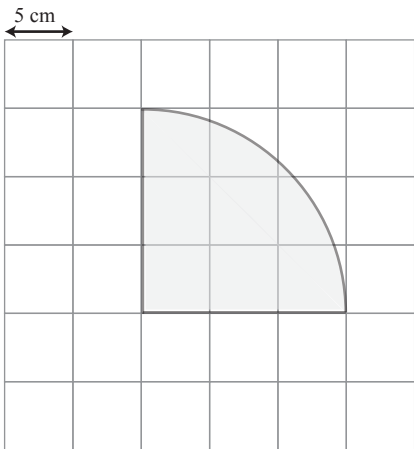
Perimeter: _____



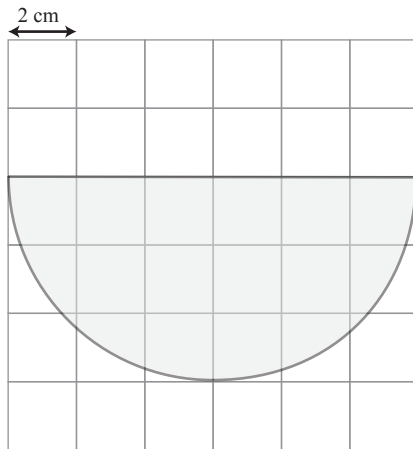
Perimeter: _____



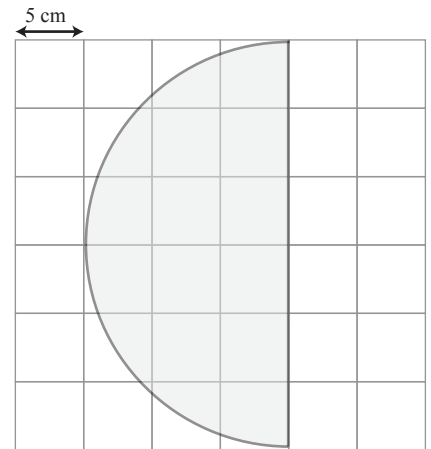
Perimeter: _____



Perimeter: _____



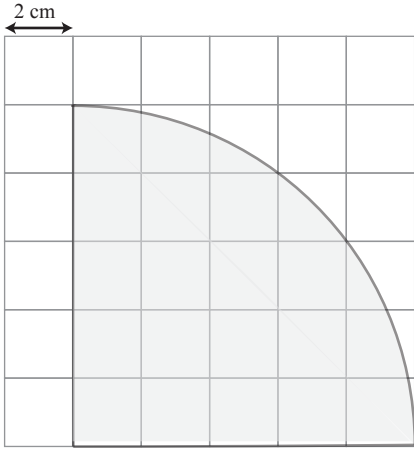
Perimeter: _____



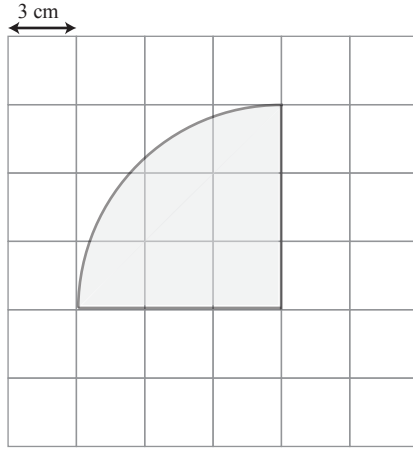
Perimeter: _____

Answers

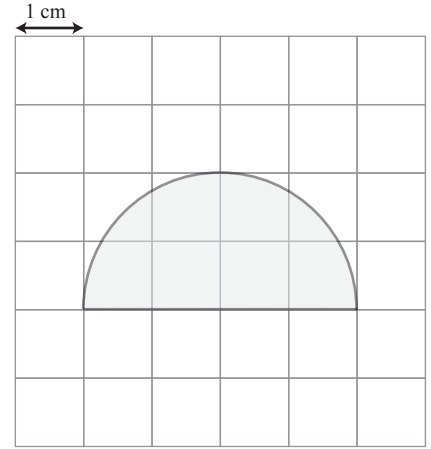
Calculate the perimeter of the following shapes. Take $\pi = 3.14$ and round off to 2 decimal places. The grids are made up of square blocks.



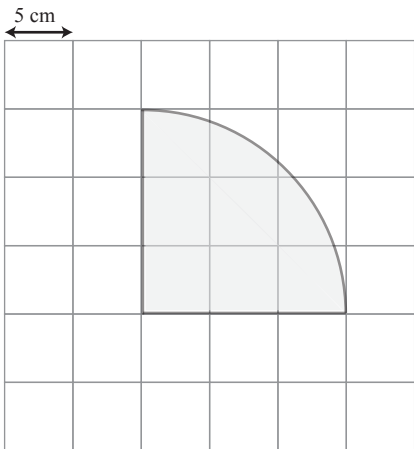
Perimeter: 35.7 cm



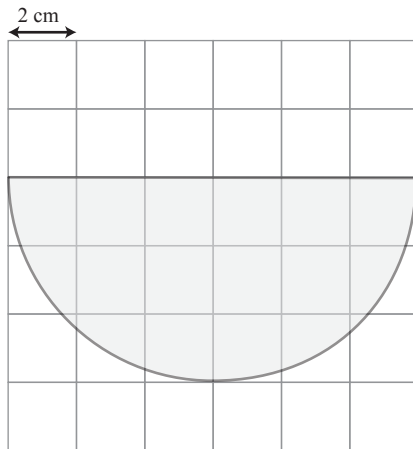
Perimeter: 32.13 cm



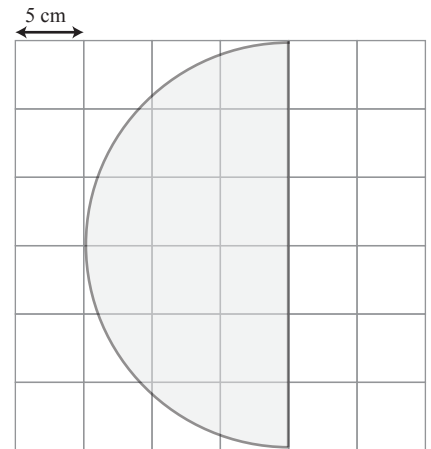
Perimeter: 10.28 cm



Perimeter: 53.55 cm



Perimeter: 30.84 cm



Perimeter: 77.1 cm