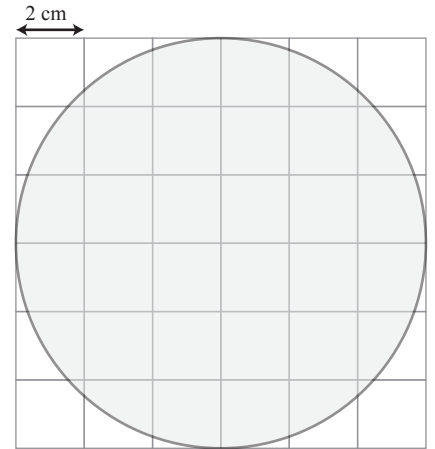
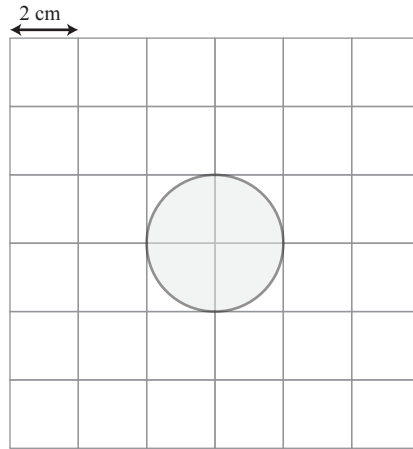
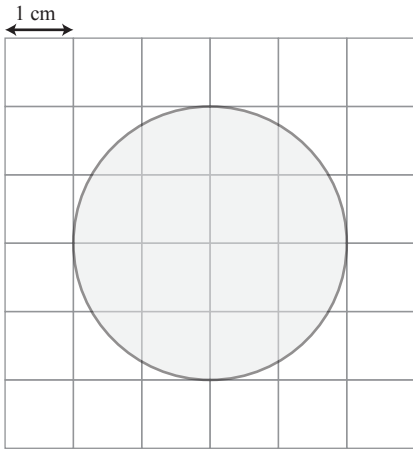


Circumference of a Circle

Name: _____ Class: _____

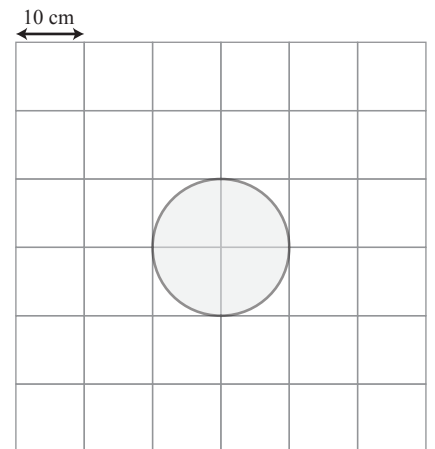
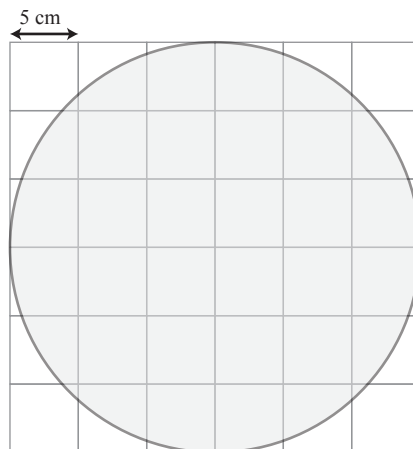
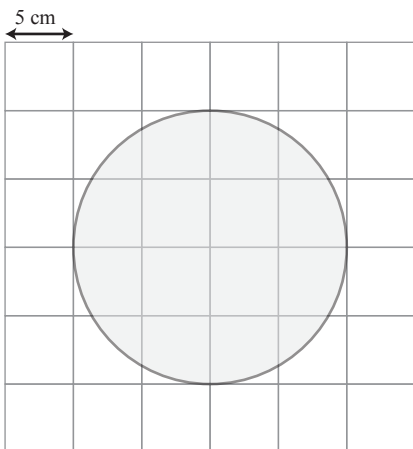
Calculate the circumference of the following circles. Take $\pi = 3.14$ and round off to 2 decimal places. The grids are made up of square blocks.



Circumference: _____

Circumference: _____

Circumference: _____



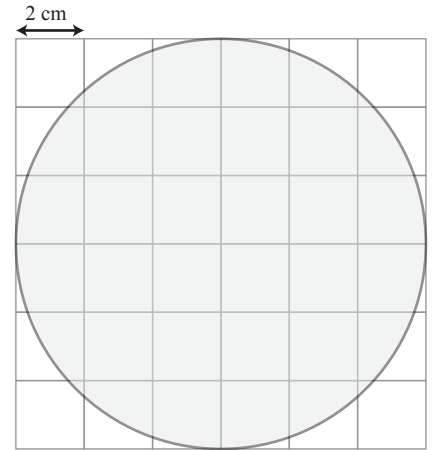
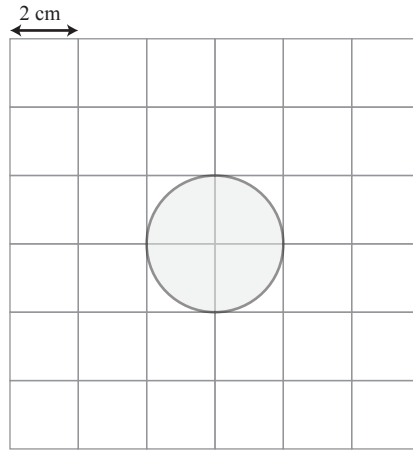
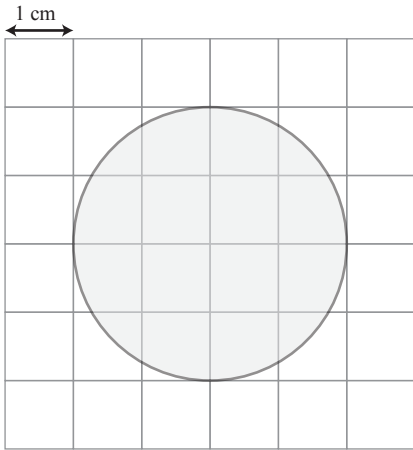
Circumference: _____

Circumference: _____

Circumference: _____

Answers

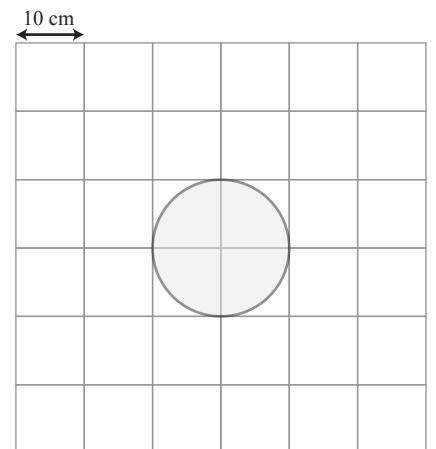
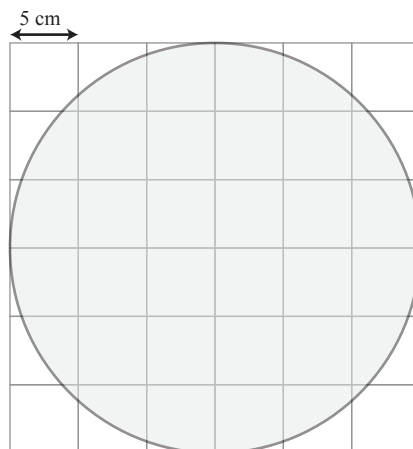
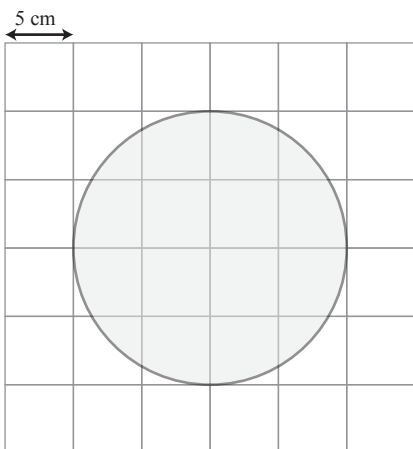
Calculate the circumference of the following circles. Take $\pi = 3.14$ and round off to 2 decimal places. The grids are made up of square blocks.



Circumference: 12.56 cm

Circumference: 12.56 cm

Circumference: 37.68 cm



Circumference: 62.8 cm

Circumference: 94.2 cm

Circumference: 62.8 cm