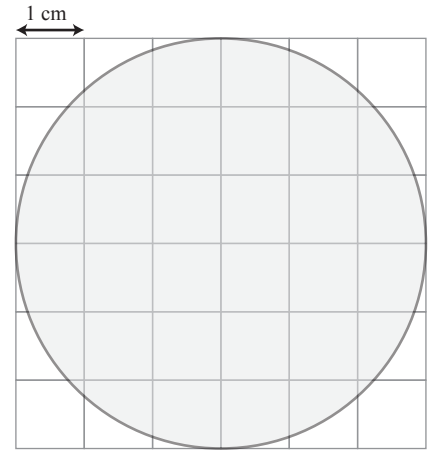
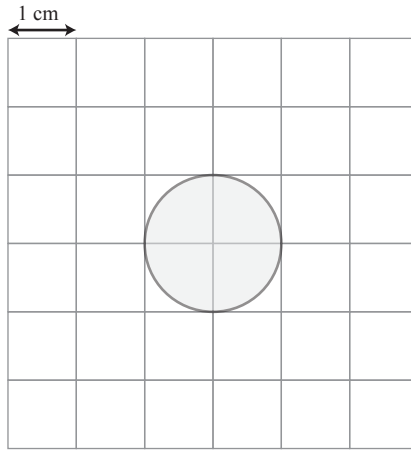
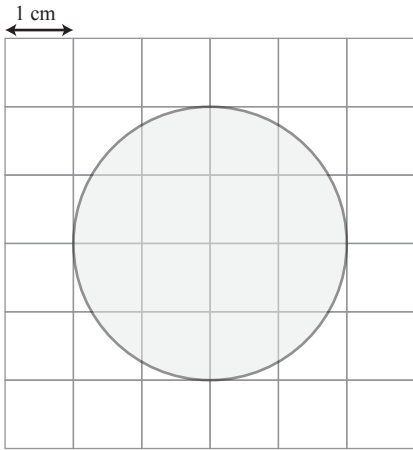


# Circumference of a Circle

Name: \_\_\_\_\_ Class: \_\_\_\_\_

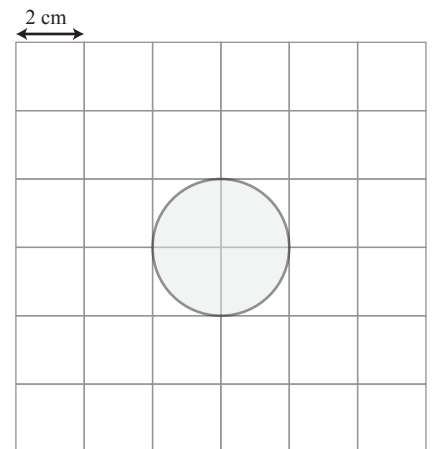
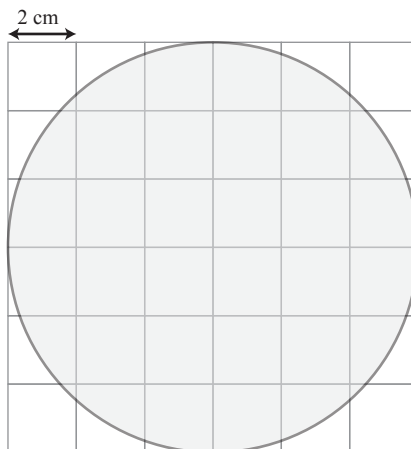
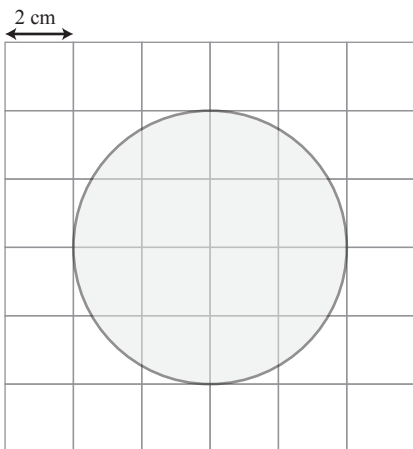
Calculate the circumference of the following circles. Take  $\pi = 22/7$  and give a mixed number as answer. The grids are made up of square blocks.



Circumference: \_\_\_\_\_

Circumference: \_\_\_\_\_

Circumference: \_\_\_\_\_



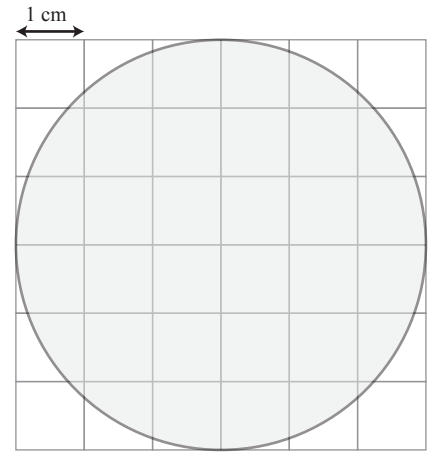
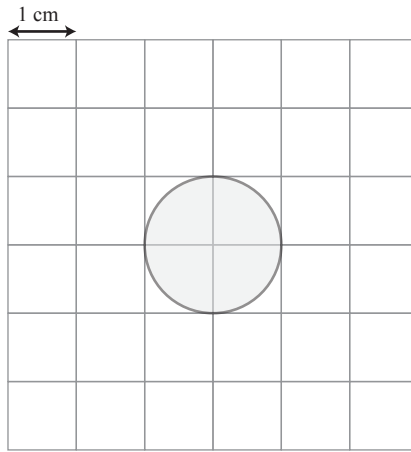
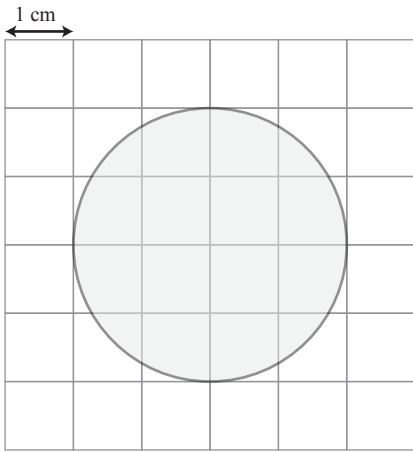
Circumference: \_\_\_\_\_

Circumference: \_\_\_\_\_

Circumference: \_\_\_\_\_

# Answers

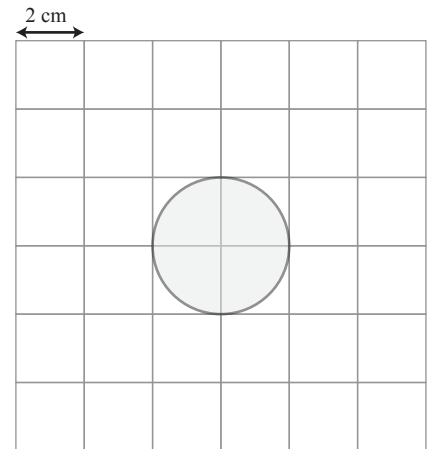
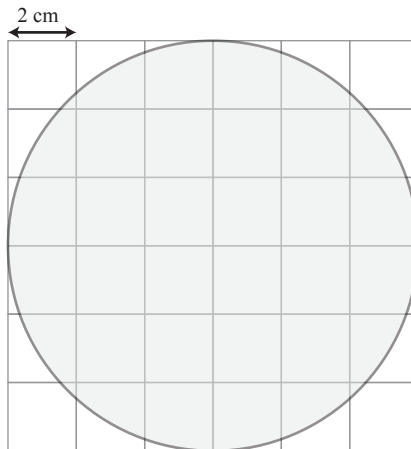
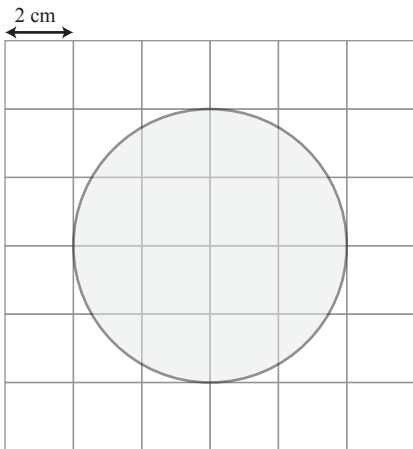
Calculate the circumference of the following circles. Take  $\pi = 22/7$  and give a mixed number as answer. The grids are made up of square blocks.



Circumference: 12  $\frac{4}{7}$  cm

Circumference: 6  $\frac{2}{7}$  cm

Circumference: 18  $\frac{6}{7}$  cm



Circumference: 25  $\frac{1}{7}$  cm

Circumference: 37  $\frac{5}{7}$  cm

Circumference: 12  $\frac{4}{7}$  cm