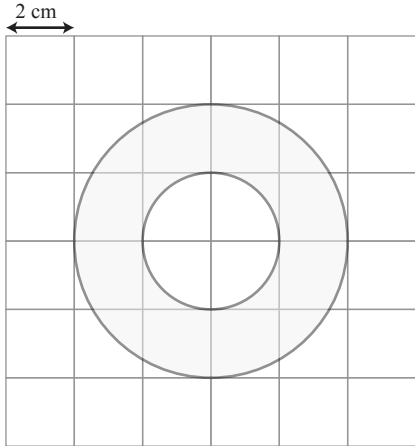


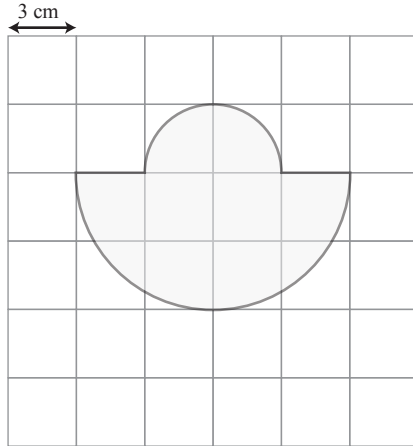
Area of Circular Shapes

Name: _____ Class: _____

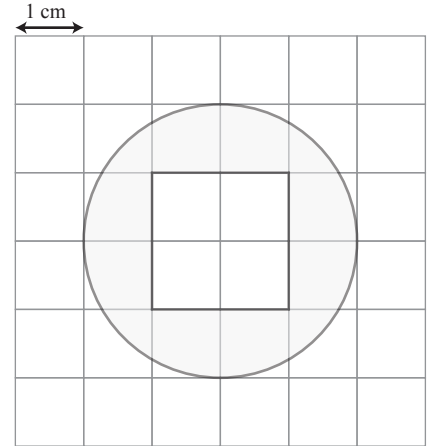
Calculate the shaded areas of the following circular shapes. Take $\pi = 22/7$ and give a mixed number as answer. The grids are made up of square blocks.



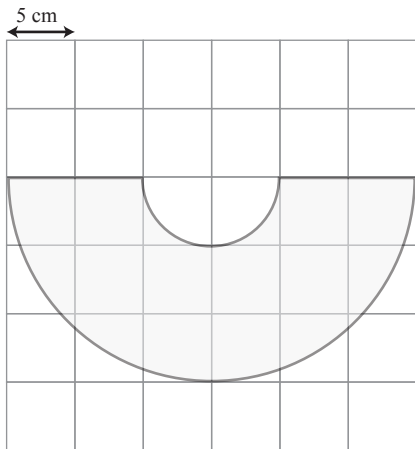
Area: _____



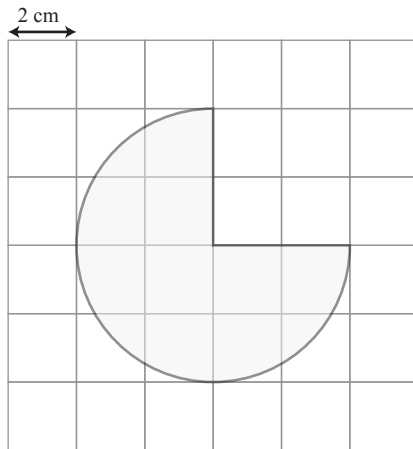
Area: _____



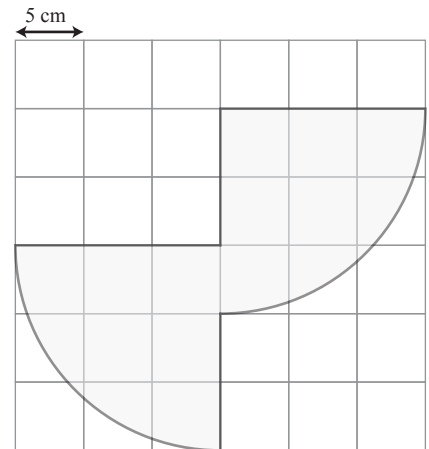
Area: _____



Area: _____



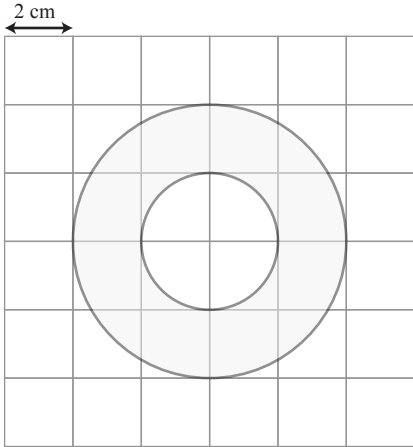
Area: _____



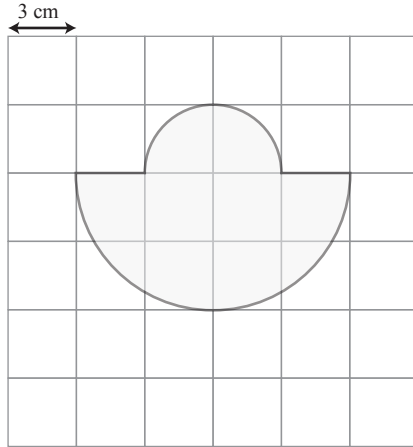
Area: _____

Answers

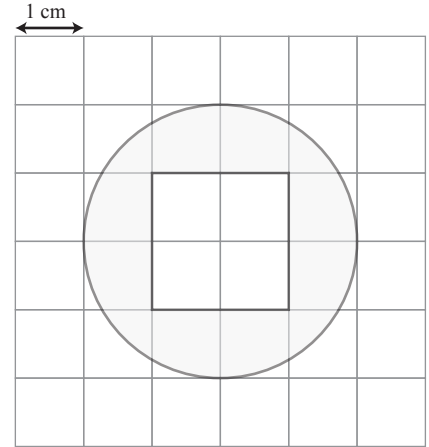
Calculate the shaded areas of the following circular shapes. Take $\pi = 22/7$ and give a mixed number as answer. The grids are made up of square blocks.



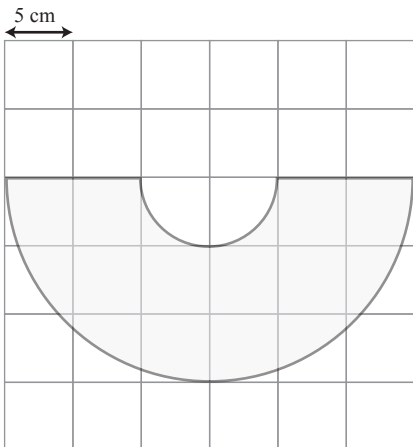
Area: $37 \frac{5}{7} \text{ cm}^2$



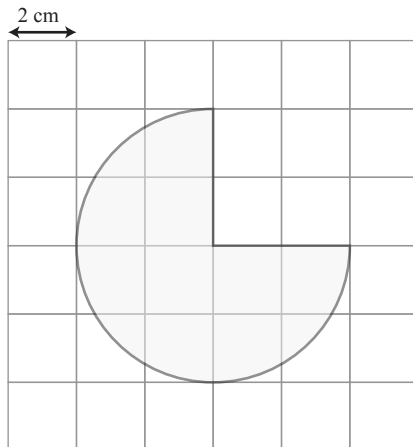
Area: $70 \frac{5}{7} \text{ cm}^2$



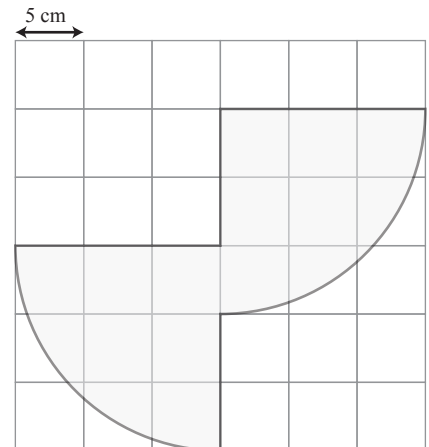
Area: $8 \frac{4}{7} \text{ cm}^2$



Area: $314 \frac{2}{7} \text{ cm}^2$



Area: $37 \frac{5}{7} \text{ cm}^2$



Area: $353 \frac{4}{7} \text{ cm}^2$