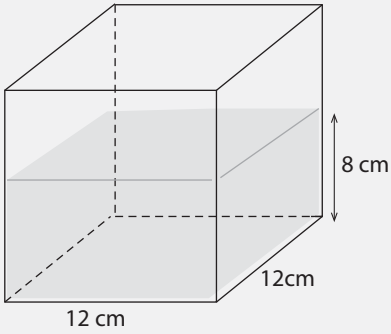


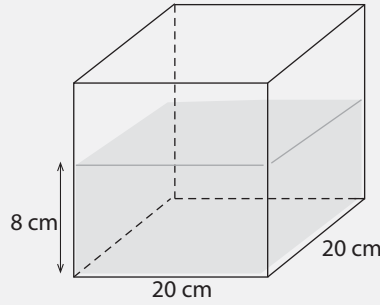
Volume of Water

Name: _____ Class: _____

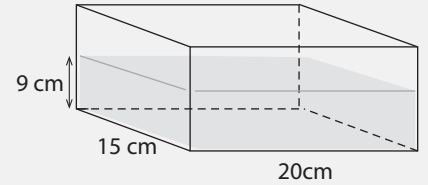
Calculate the volume of water in each tank in liters and milliliters



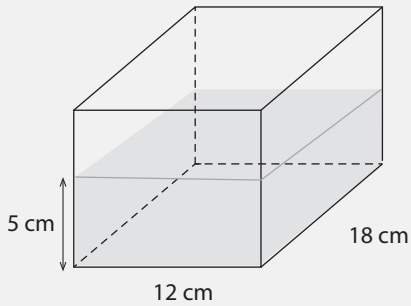
Volume: _____



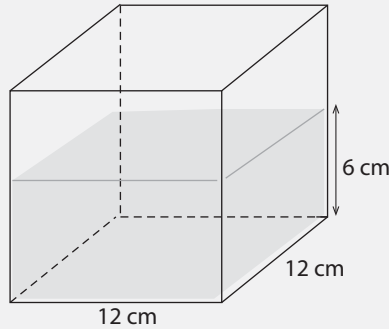
Volume: _____



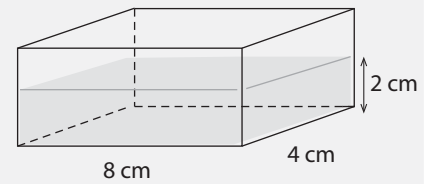
Volume: _____



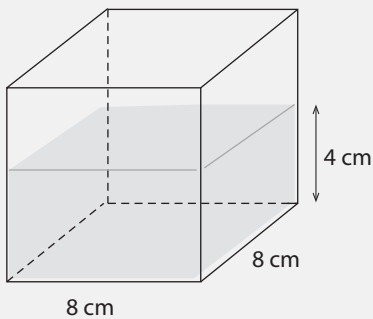
Volume: _____



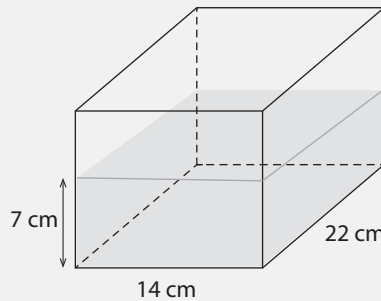
Volume: _____



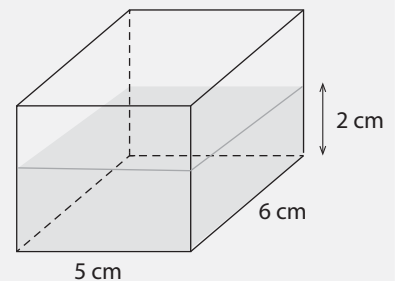
Volume: _____



Volume: _____



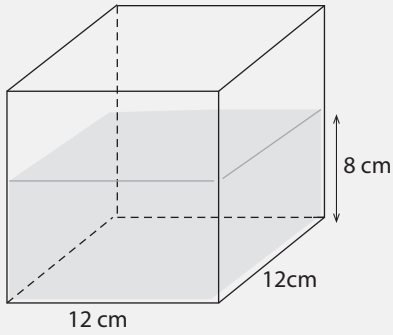
Volume: _____



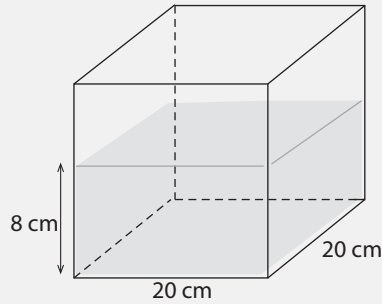
Volume: _____

Answers

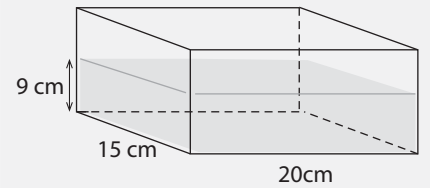
Calculate the volume of water in each tank in liters and milliliters



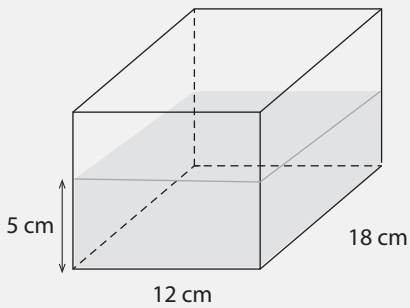
Volume: **1 L 152 ml**



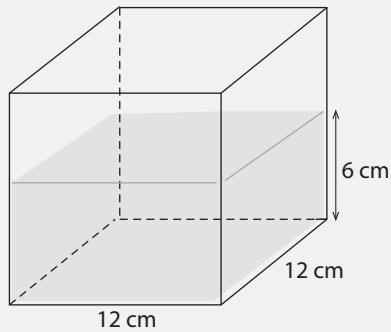
Volume: **3 L 200 ml**



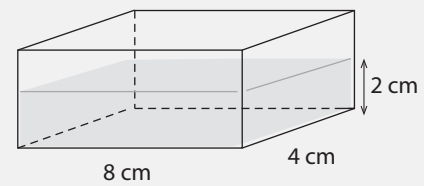
Volume: **2 L 700 ml**



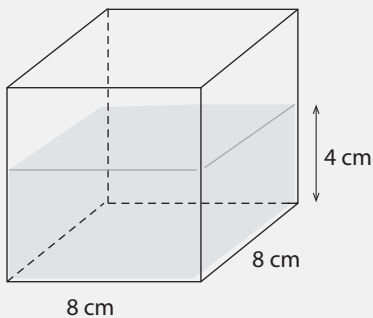
Volume: **1 L 80 ml**



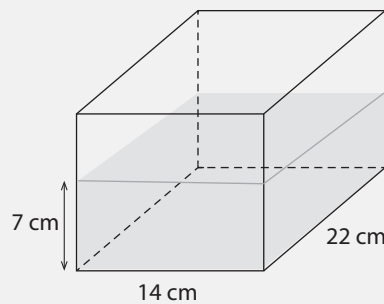
Volume: **864 ml**



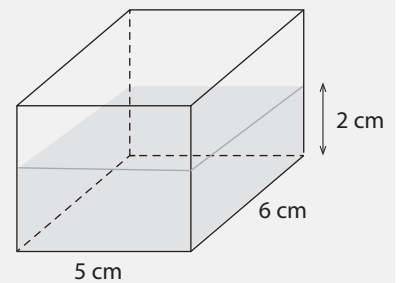
Volume: **64 ml**



Volume: **256 ml**



Volume: **2 L 156 ml**



Volume: **60 ml**