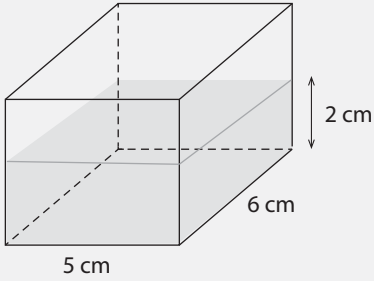


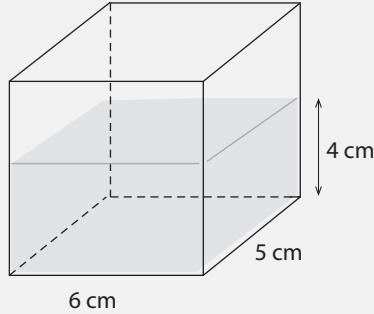
# Volume of Water

Name: \_\_\_\_\_ Class: \_\_\_\_\_

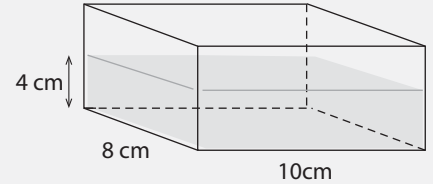
Calculate the volume of water in each tank in milliliters



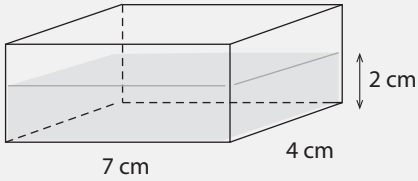
Volume: \_\_\_\_\_



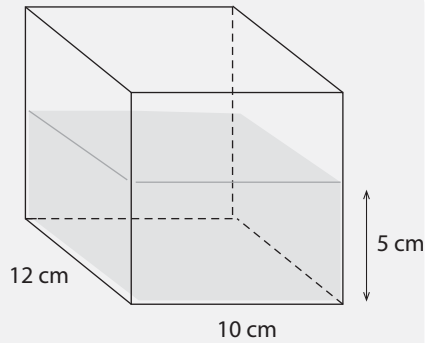
Volume: \_\_\_\_\_



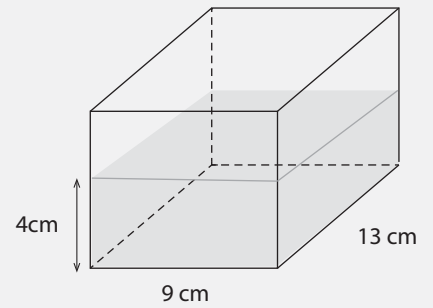
Volume: \_\_\_\_\_



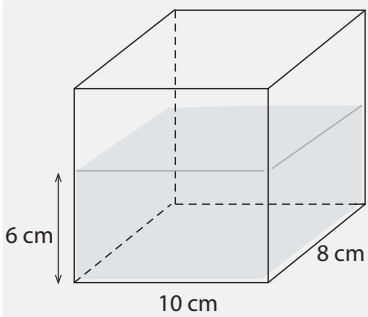
Volume: \_\_\_\_\_



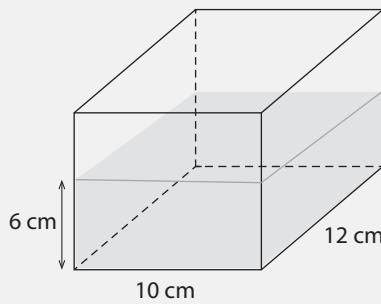
Volume: \_\_\_\_\_



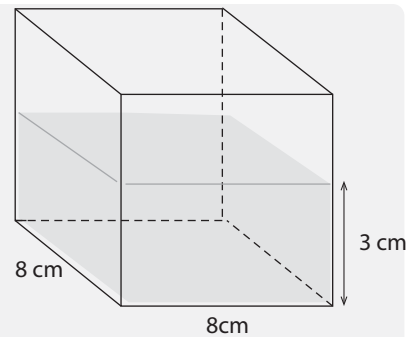
Volume: \_\_\_\_\_



Volume: \_\_\_\_\_



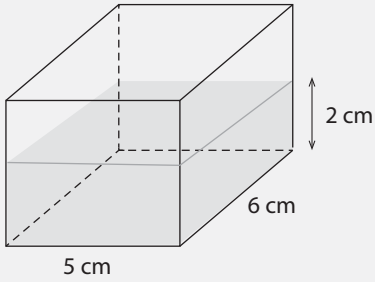
Volume: \_\_\_\_\_



Volume: \_\_\_\_\_

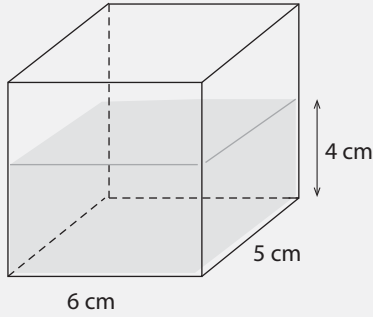
# Answers

Calculate the volume of water in each tank in milliliters



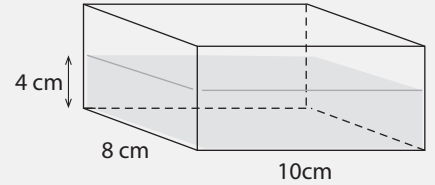
Volume: **60 ml**

---



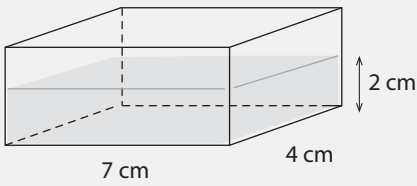
Volume: **120 ml**

---



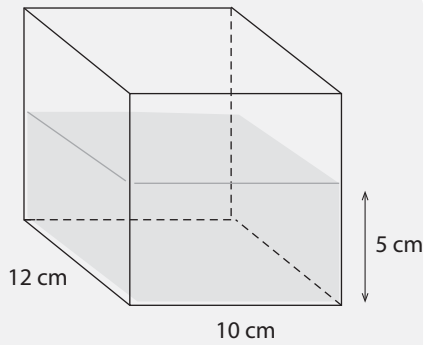
Volume: **320 ml**

---



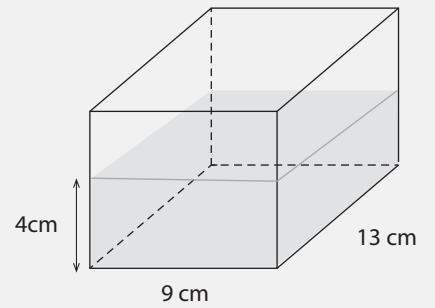
Volume: **56 ml**

---



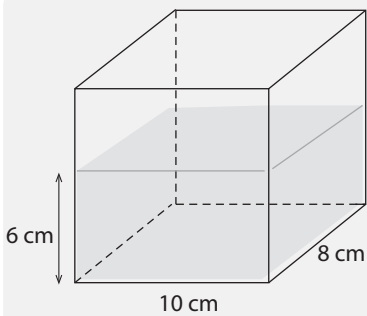
Volume: **600 ml**

---



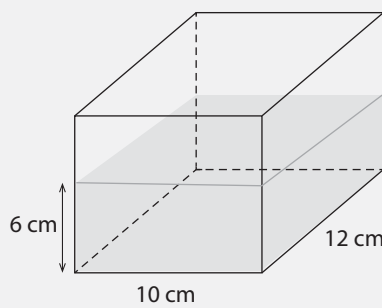
Volume: **468 ml**

---



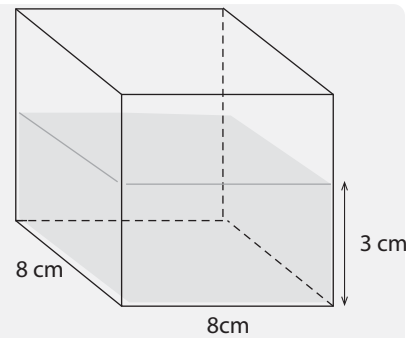
Volume: **480 ml**

---



Volume: **720 ml**

---



Volume: **192 ml**

---