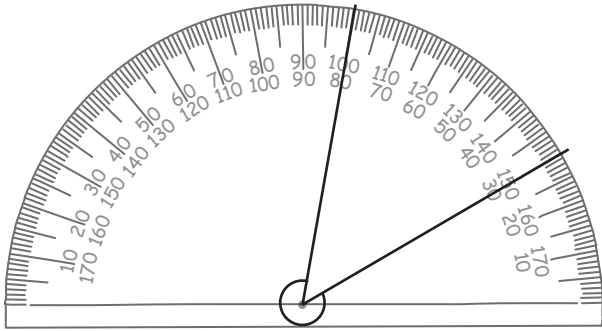


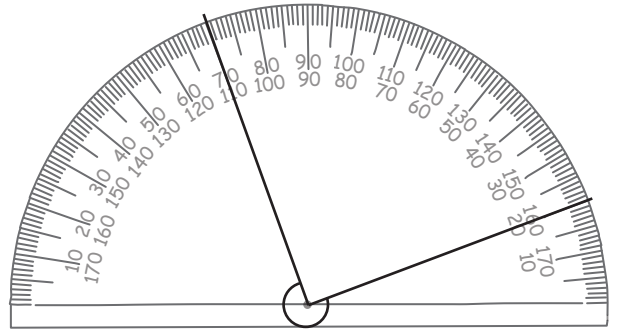
Measure the Reflex Angle

Name: _____ Class: _____

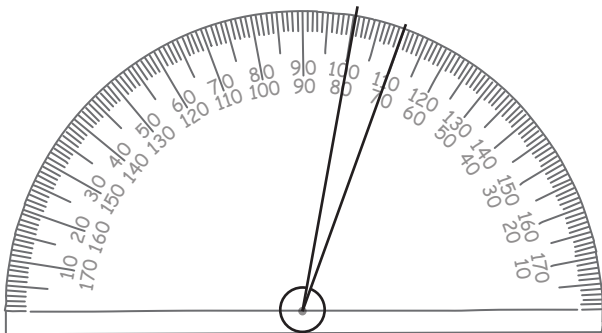
Measure the size of each reflex angle.



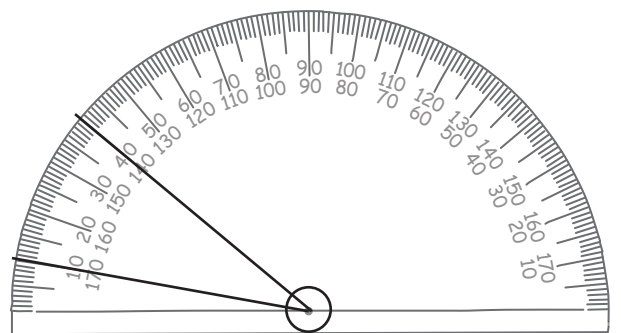
\angle _____



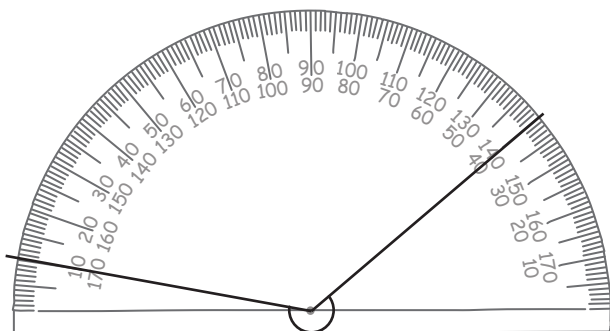
\angle _____



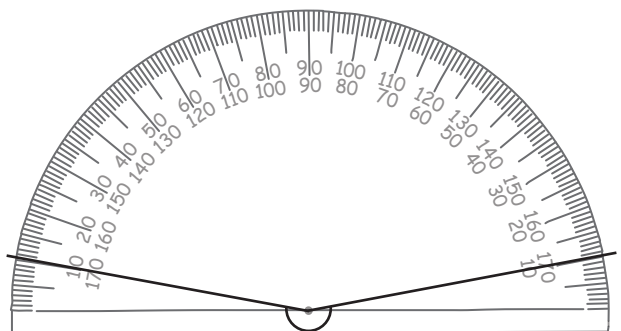
\angle _____



\angle _____



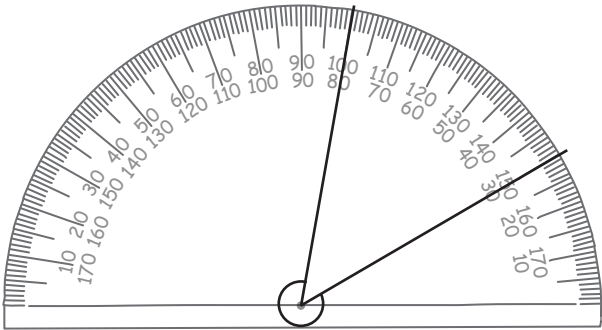
\angle _____



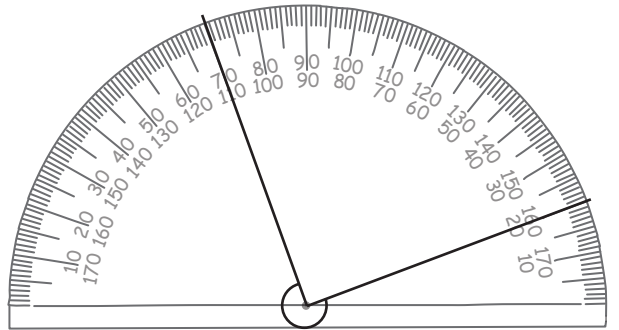
\angle _____

Answers

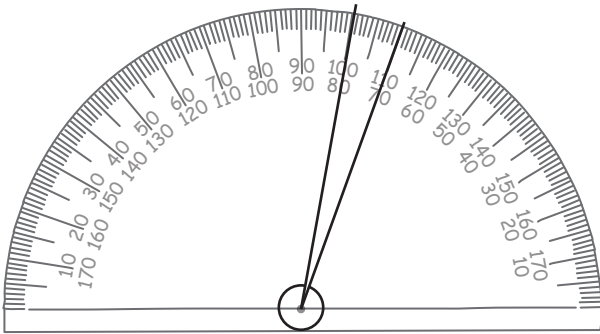
Measure the size of each reflex angle.



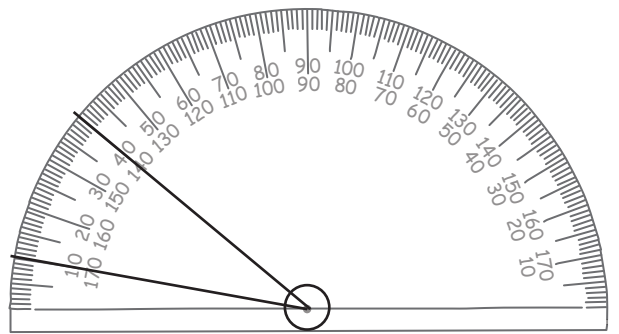
$\angle 310^\circ$



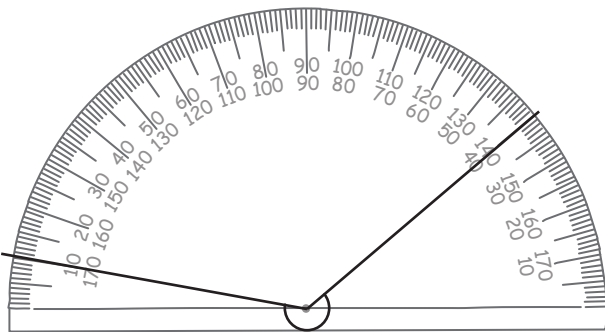
$\angle 270^\circ$



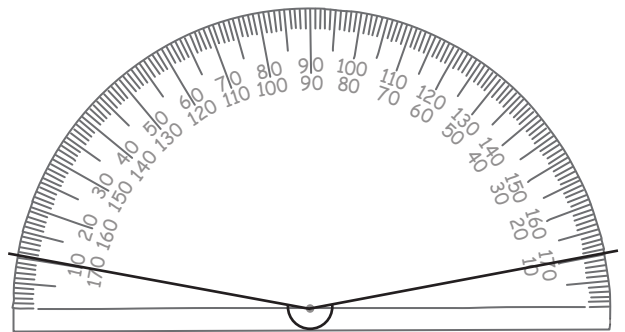
$\angle 350^\circ$



$\angle 330^\circ$



$\angle 230^\circ$



$\angle 200^\circ$