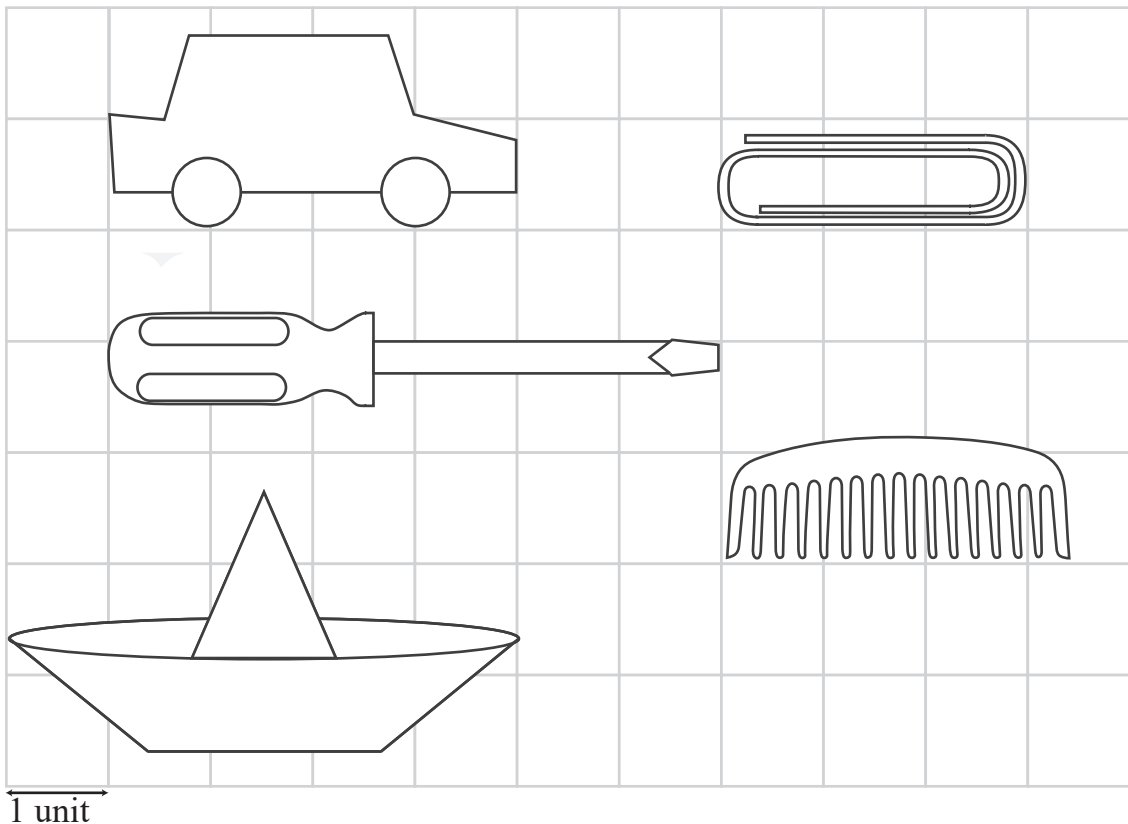


True or false

Write true (T) or false (F). Take  as 1 unit of length.



The boat is the longest _____

The car is longer than the paperclip _____

The car is the shortest _____

The screwdriver is 6 units long _____

The paperclip is shorter than the boat _____

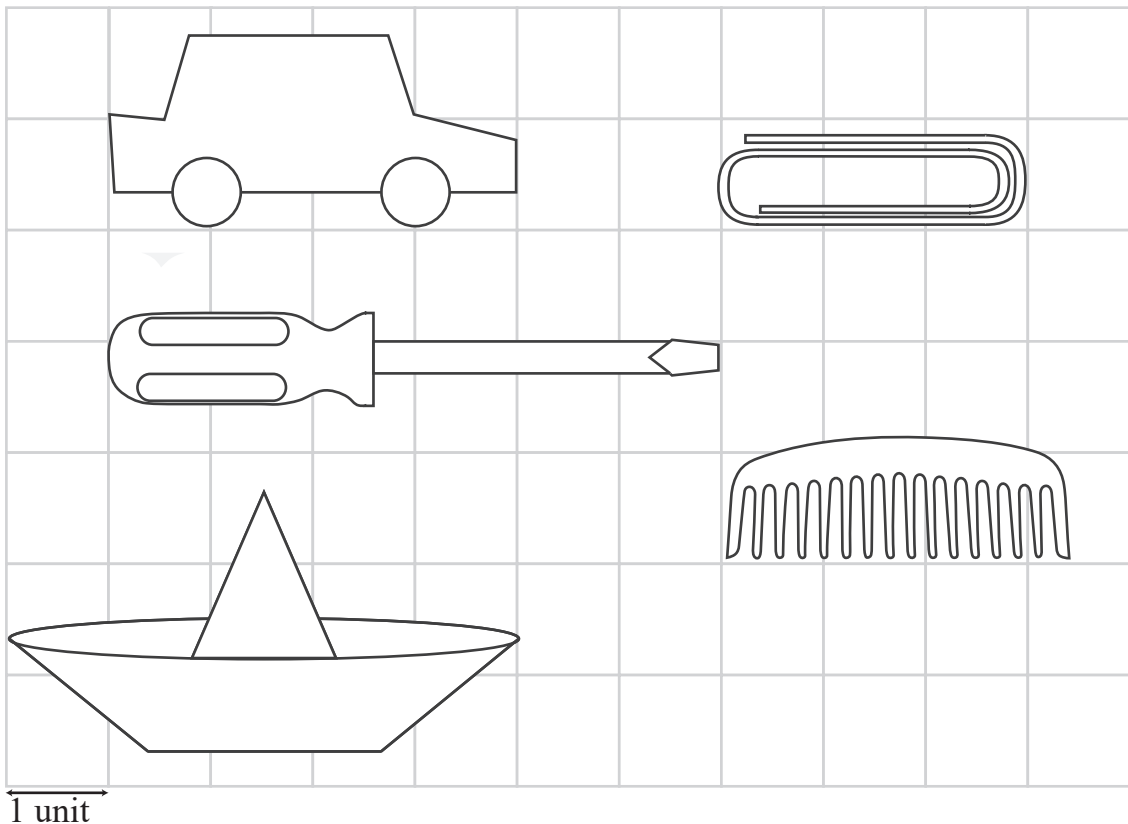
The comb is longer than the car _____

The paperclip is 3 units long _____

The comb is more than 3 units long _____

True or false

Write true (T) or false (F). Take  as 1 unit of length.



The boat is the longest F

The car is longer than the paperclip T

The car is the shortest F

The screwdriver is 6 units long T

The paperclip is shorter than the boat T

The comb is longer than the car F

The paperclip is 3 units long T

The comb is more than 3 units long T