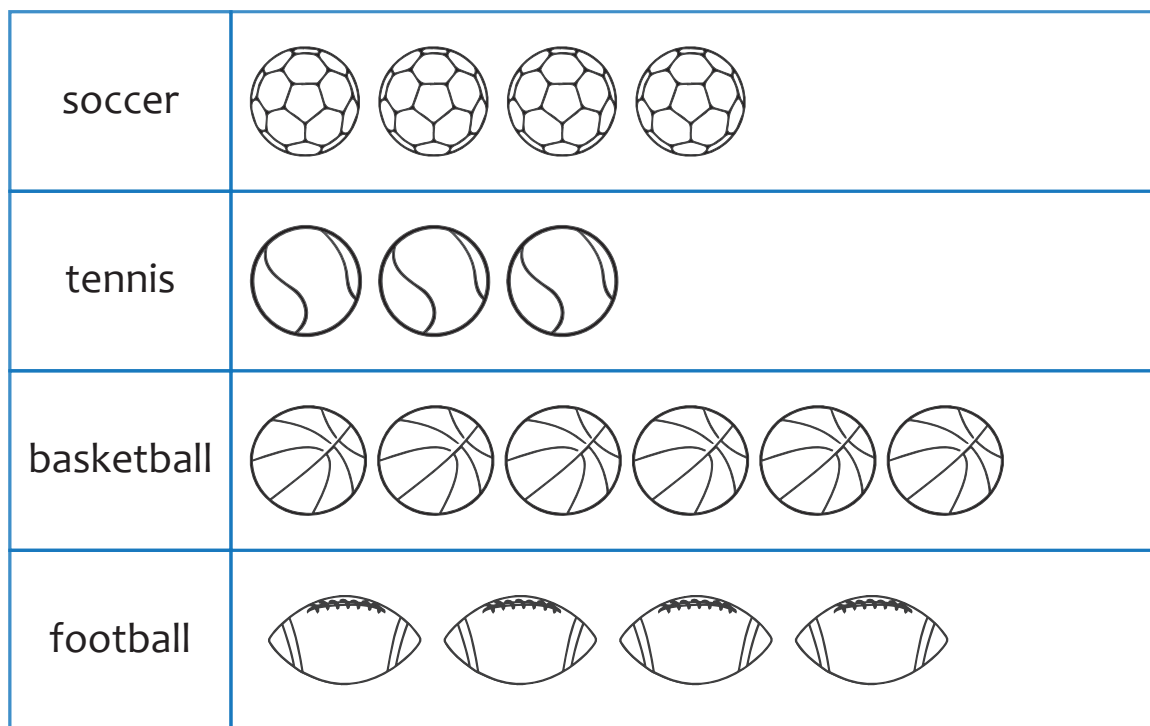


Reading a pictograph

The pictograph shows the favorite sports of my friends in class. Use the graph to answer the questions.



Each picture stands for 1 student

How many of my friends like tennis the most ?

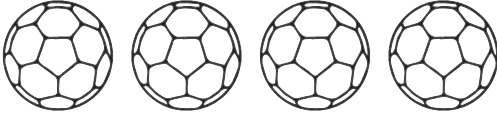


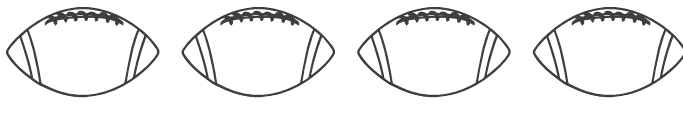
How many of my friends like soccer or football the most ?

How many more friends prefer basketball than football ?

How many of my friends do not like soccer the most ?

Reading a pictograph

The pictograph shows the favorite sports of my friends in class. Use the graph to answer the questions.

soccer	
tennis	
basketball	
football	

Each picture stands for 1 student

How many of my friends like tennis the most ?

3 of my friends

How many of my friends like soccer or football the most ?

8 of my friends

How many more friends prefer basketball than football ?

2 friends

How many of my friends do not like soccer the most ?

13 of my friends