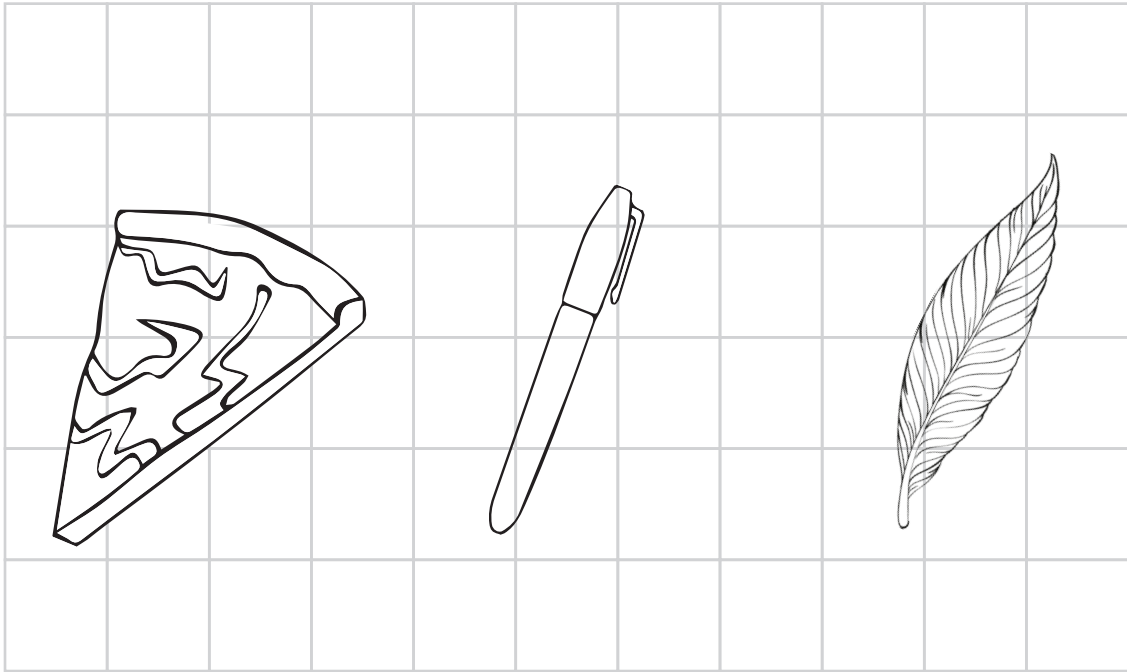


# Light, lighter, lightest

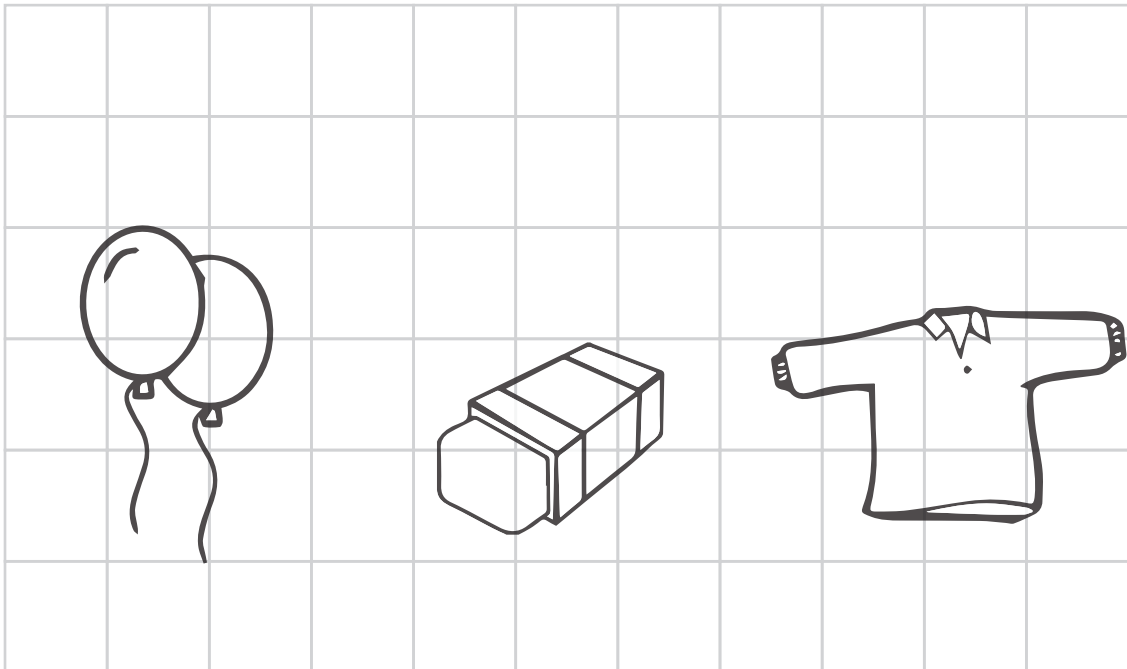
For each set, fill in light, lighter, lightest



\_\_\_\_\_

\_\_\_\_\_

\_\_\_\_\_



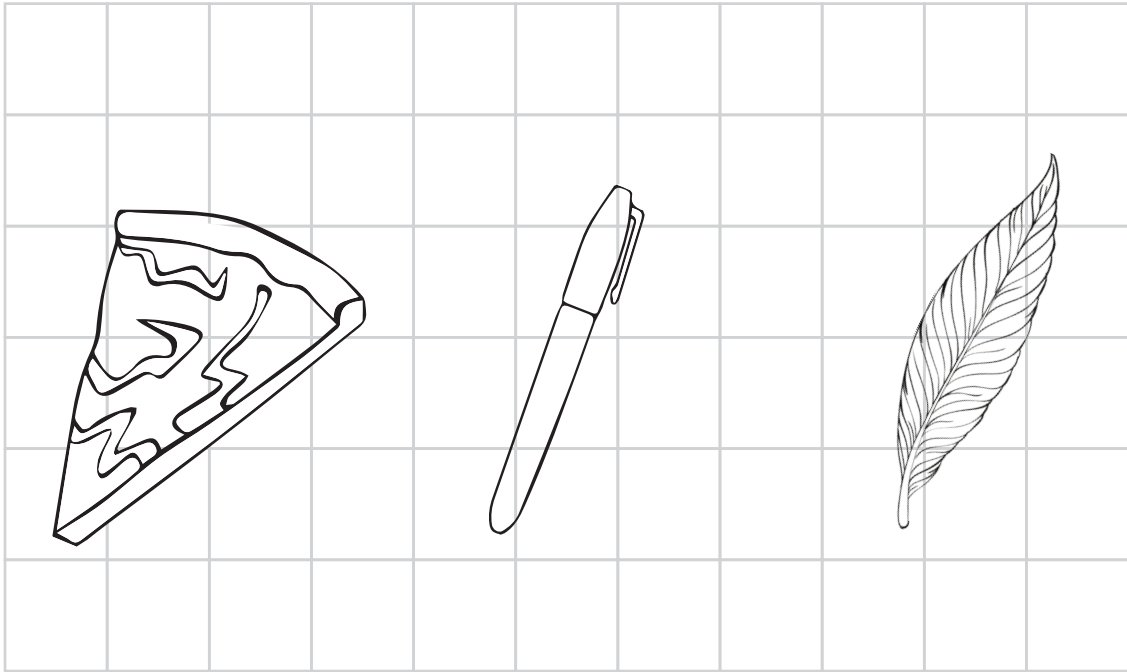
\_\_\_\_\_

\_\_\_\_\_

\_\_\_\_\_

# Light, lighter, lightest

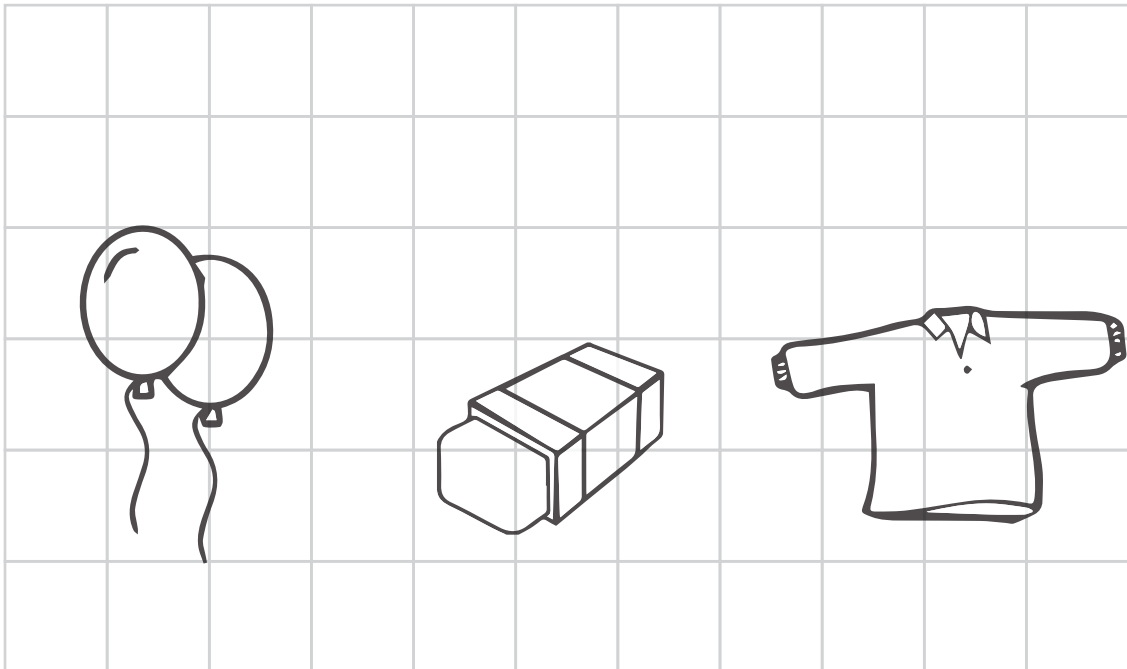
For each set, fill in light, lighter, lightest



light

lighter

lightest



lightest

lighter

light